

*The world's best gate hinges & locks
just got better!*





Black trim



Chrome trim



Brushed trim

LokkLatch® MAGNETIC

is the world's first gate lock designed specifically for gates that provides finishes typically only found on door locks. Eliminates the use of inappropriate locks designed for internal use. Our new finishes can be matched to your fence and other hardware....without corrosion.

Features:

- D&D-patented magnetic latching
- No visible fasteners
- Optional decorative handle trims
- Dual, 6-pin re-keyable locks
- Intuitive PUSH/PULL action
- Fits most square-post gate and fence posts from 38mm to 150mm deep
- Vertical & horizontal adjustment
- Super-strong engineering polymers and stainless steel components

Benefits:

- Locks and unlocks from both sides of the gate
- Complements modern gates
- Peace-of-mind gate security
- Ergonomic, one-handed operation
- Fits metal and wood gates
- Consistent, reliable operation
- Co-ordinates with TruClose® hinges
- Contractors and resellers only need to stock one lock



Limited Lifetime Warranty
on all D&D-manufactured products



More than a latch, it's a lock!

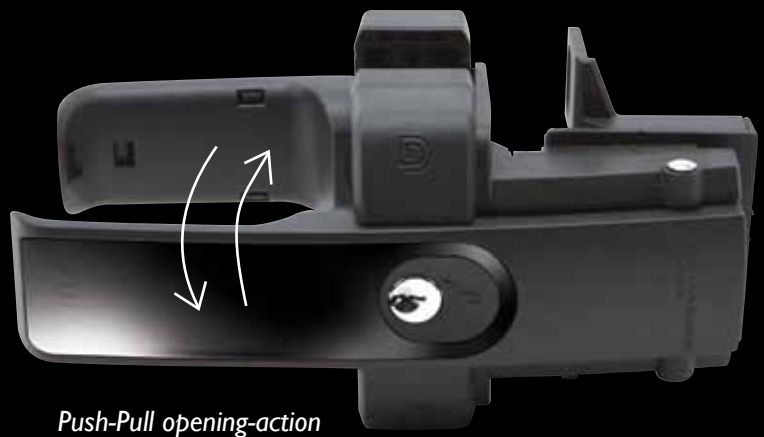


Black trim shown

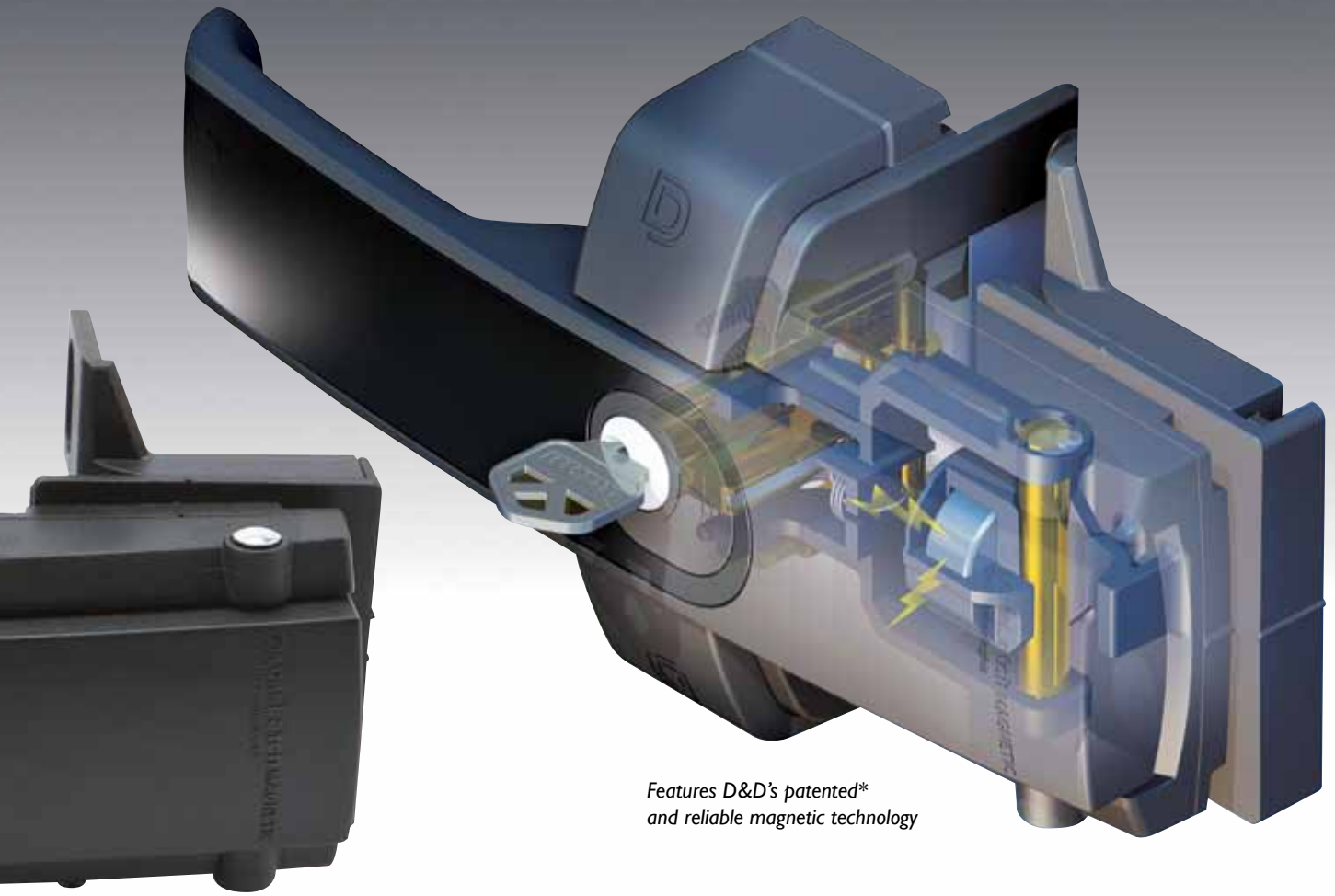
*Optional Black, Brushed or
Chrome metallic-finish trim*
No visible fasteners



Key-lockable External Access Kit



Push-Pull opening-action



Features D&D's patented* and reliable magnetic technology



Ideal for Colorbond® gates



Ideal for aluminium gates

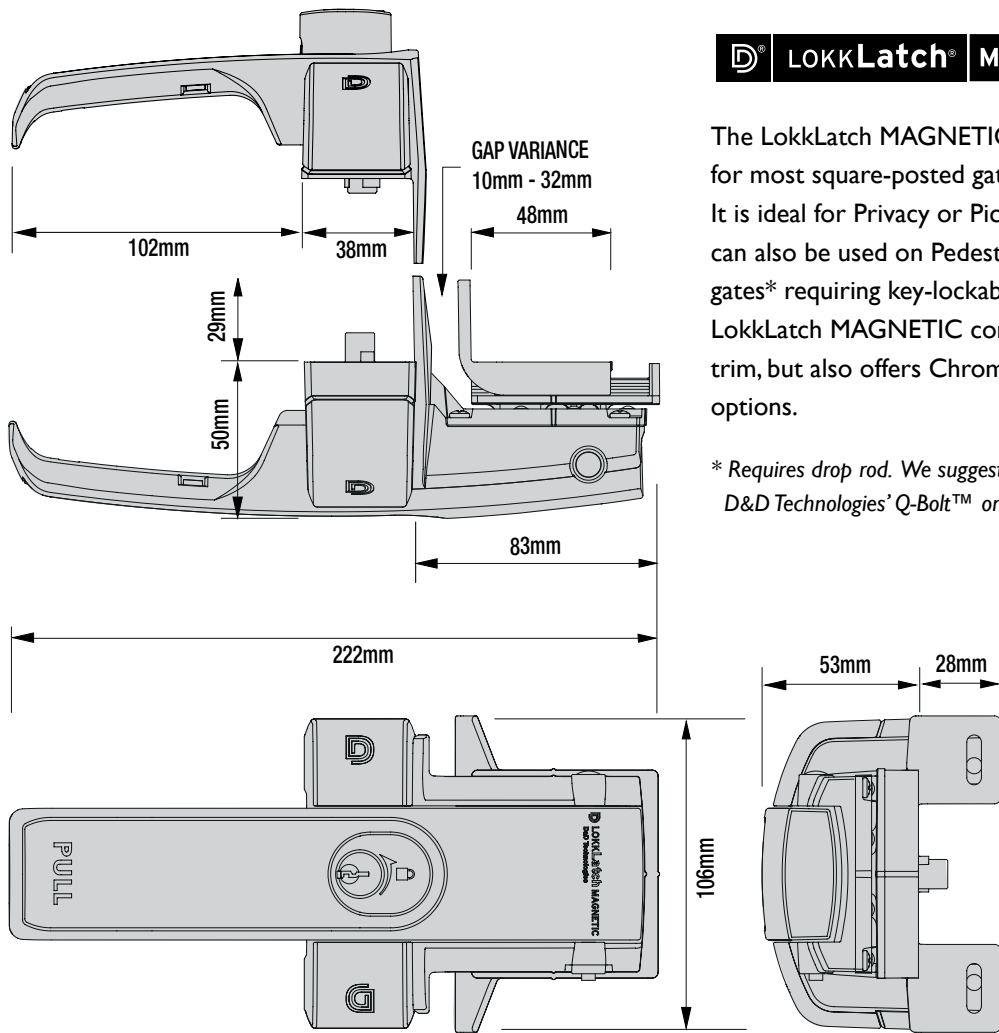


Ideal for wood privacy gates

Chrome

Brushed

Black



D LOKK**Latch**® MAGNETIC

The LokkLatch MAGNETIC gate lock is designed for most square-posted gates and fences. It is ideal for Privacy or Picket-style gates and can also be used on Pedestrian and Double Drive gates* requiring key-lockable security. LokkLatch MAGNETIC comes standard with Black trim, but also offers Chrome and Brushed trim options.

* Requires drop rod. We suggest either D&D Technologies' Q-Bolt™ or LokkBolt™.

LokkLatch MAGNETIC has been cleverly designed to hide fasteners behind stylish dress-caps, which simply slide into position and lock into place.

